

❖ STEATITE - PREMIUM SERIES

Mains pressure indoor electric hot water systems with a long lasting dry ceramic heating element.



Why choose Atlantic?

Established in 1931, Atlantic is now a world leading manufacturer of electric hot water systems in Europe.

Today, Atlantic has 19 manufacturing plants across the world producing some 3 million units per year. Atlantic hot water systems are manufactured to exacting standards incorporating high quality materials and advanced control systems to increase the performance and life of the tanks.



Steatite Element Technology



- Steatite Element Technology – Unique dry ceramic heating element that offers bullet proof protection in highly mineralised and desalinated water.
- The dry Steatite element heats water quicker because it has a larger surface area.
- With a low watt density of only 4 watts per cm², scale build-up is significantly reduced. Standard immersion elements have a watt density of approximately 9 watts per cm².
- Since the element is protected in an enamelled metallic sleeve, service is quick and easy. No need to drain the tank.



7 Steatite dry Heating element

- 1 Hot water outlet
- 2 Diamond-quality enamel
- 3 High-density polyurethane foam 0% CFC
- 4 Magnesium anode
- 5 Enamelled sleeve
- 6 Cold water inlet diffuser



* Tank is for illustration purpose only



❖ No#1 High Efficiency & Energy Saving

- Rated #1 most energy efficient storage water heater in the market, as tested to MEPS NZ. This means less heat loss saving energy and money!
- High efficiency cold water inlet.
- CFC – free high density insulation for more energy savings.

❖ Quality - Durability - Reliability

- The Premium Series is modern and stylish with its high gloss, white enamel finish.
- New generation tank lining – ZIRCON - Copper & Titanium Vitreous enamelling.
- Magnesium anode for increased protection of the tank.
- Easy access to inner tank at the front to replace anode or descale tank.
- IP 24 Compliant. Meets AS/NZS60335.2.21 for Electrical Safety
- Mechanical adjustable thermostat with integrated thermal cut out.
- Specific lip gasket to avoid rust around the element flange.
- Quality European engineering and manufacture.

❖ Warranty, terms and conditions

Warranty 5 years on cylinder, 2 years on heating element and tank labour, 1 year on other parts and labour for domestic installations.

**Conditions apply. See installation manual*

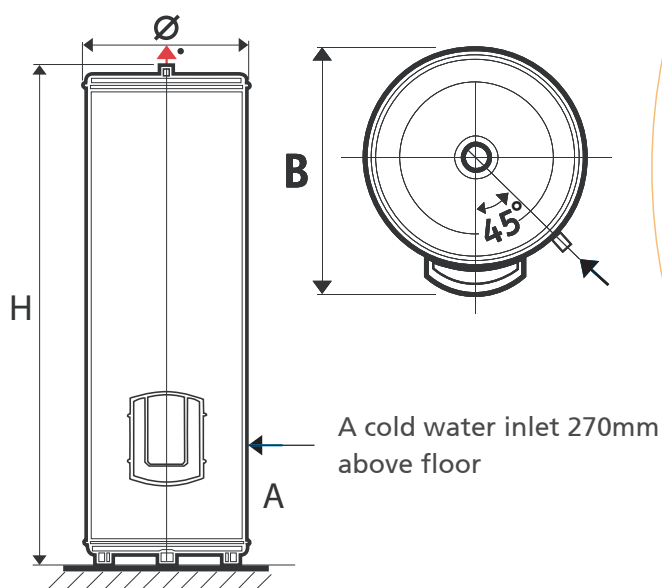


Designed & Manufactured in France

STEATITE - PREMIUM SERIES

The Steatite dry ceramic heating element is removable without the need to draining the tank.

Installation dimensions (in mm)



Steatite Premium Dimensions

Model	Capacity	Rating (W)	Dimensions (mm)				Net weight (kg)
			Ø	H	A	B	
876302	150 L	1800	575	1015	270	590	41
886100	200 L	2400		1275			51
886101	250 L	3000		1500			63
896236	300 L	3000		1780			73

Steatite Premium Specifications

Model	Capacity	Relief Value	Pressure Limiting Valve	Hot Water Recovery at 60°C (t - 50°C)	Water Connections
876302	150 L	850 kPa	500 kPa	46 lt/hr	¾ / 20 mm
886100	200 L	850 kPa	500 kPa	45 lt/hr	¾ / 20 mm
886101	250 L	850 kPa	500 kPa	57 lt/hr	¾ / 20 mm
896236	300 L	850 kPa	500 kPa	56 lt/hr	¾ / 20 mm