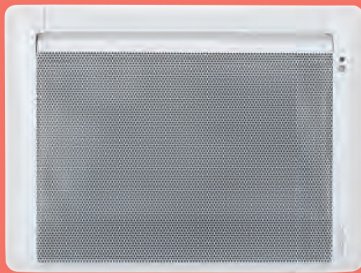


# Tatou Smart

LIFESTYLE PREDICATIVE SOFTWARE FOR COMFORT AND ENERGY-SAVING



## + PRODUCT

### COMFORT

- Extensive heat panel with black painted extruded aluminium heating element and wide heating surface
- Instantaneous feeling of warmth & homogeneous heat spread
- Anti-tilt system and automatic overheating safety device

### SAVINGS

- Up to 45% energy savings\* thanks to 24/7 open programming integrated with absence / presence sensors
- Smart Pilot functions memorising user's life rhythm & comfort requirements
- Open/closed window detection function switching to Anti-frost mode as soon as a window opens
- Energy consumption indicator for responsible & informed use of the equipment

### USER-FRIENDLINESS

- LCD digital controls showing temperature and energy consumption
- ASP (Anti-Staining Process) to reduce staining on wall and on equipment
- Easy to install: H-shaped vertical support

### DESIGN

- Horizontal Wall Mounting or Optional Feet & Castor Kit (517000)
- Colour White (RAL 9016)
- Front Air Outlet

## EXTENSIVE HEAT PANEL

1000 TO 2000 W  
(HORIZONTAL)



Energy savings



Digital controls

Smart Pilot

Technology



Heating element type

# Tatou Smart

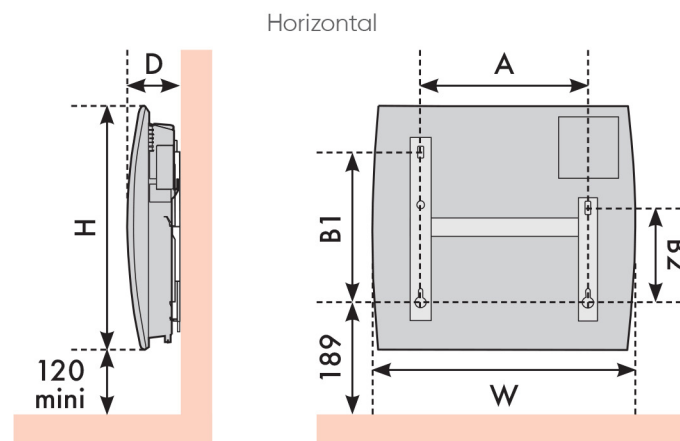


- 1 LCD digital controls
- 2 Overheating safety device
- 3 Perforated front
- 4 Extruded aluminium heating element
- 5 Room temperature sensor
- 6 Movement and light sensors



- 1 Menu button to access various functions
- 2 Energy consumption indicator
- 3 On/Off
- 4 Menu navigation, temperature & active mode-setting buttons

## INSTALLATION DIMENSIONS



## TECHNICAL DATA

PRODUCT CODE	OUTPUT (W)	DIMENSIONS (mm)						NET WEIGHT (kg)
		WIDTH (W)	HEIGHT (H)	DEPTH (D)	A	B1	B2	
Tatou Digital Horizontal								
566210	1000	619	470	114	343	251	158	6
566215	1500	841	470	114	565	251	158	7
566220	2000	1063	470	114	787	251	158	10

7 Year Warranty



Australia  
+61 3 9852 9599  
www.atlantics.com.au  
sales@atlantics.com.au

New Zealand  
0800 422 000  
www.atlantic.nz  
info@atlantic.nz