



SMARTER CLIMATE LIVING

Operating manual

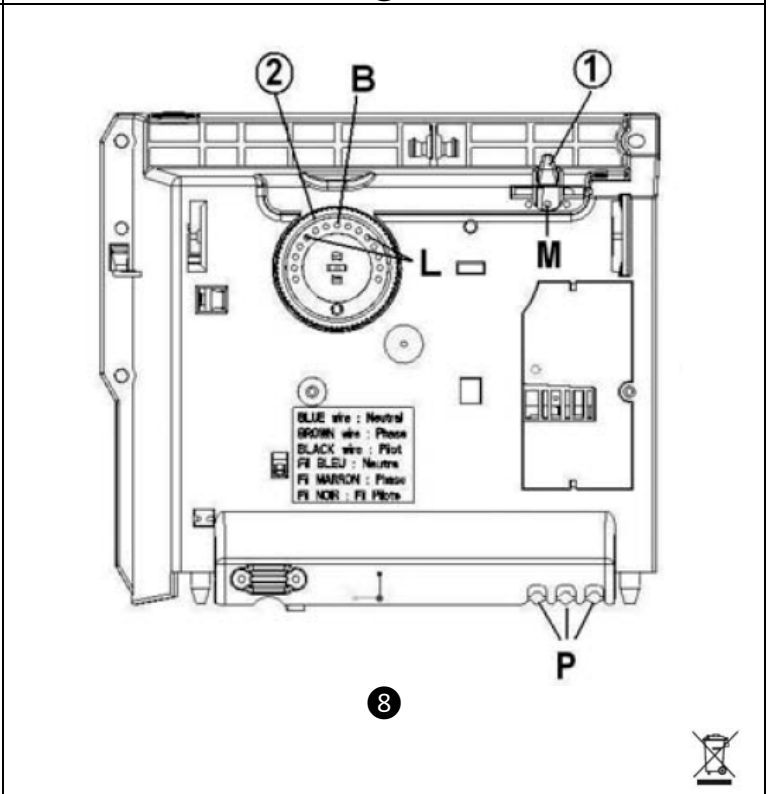
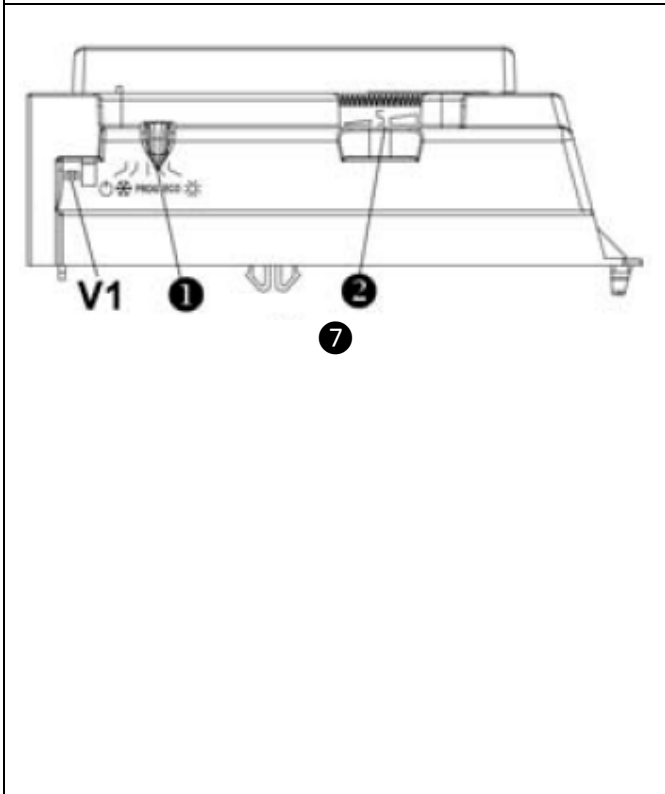
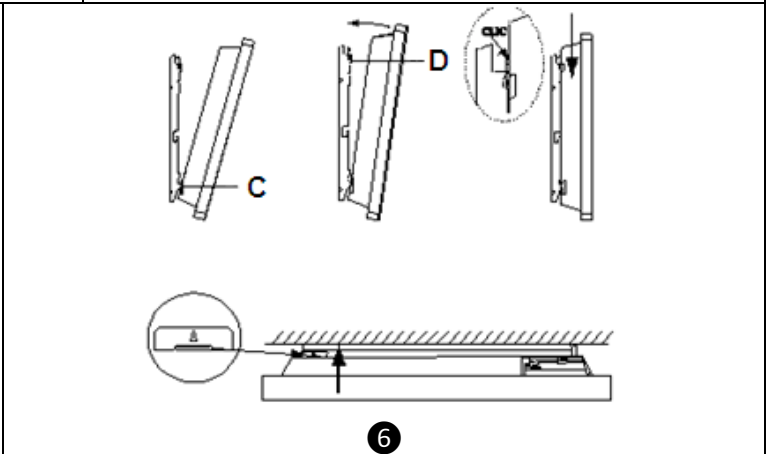
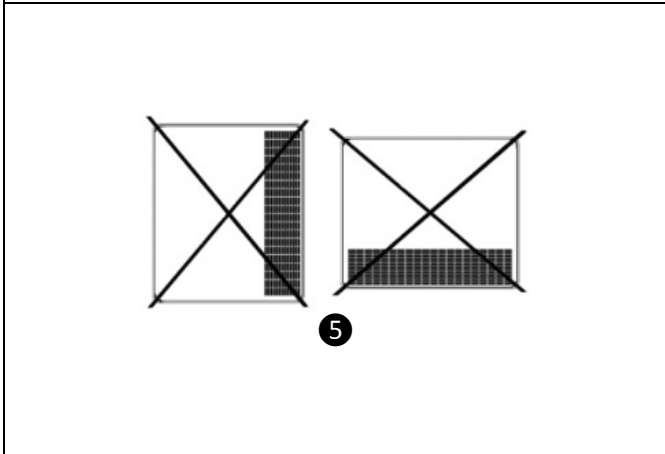
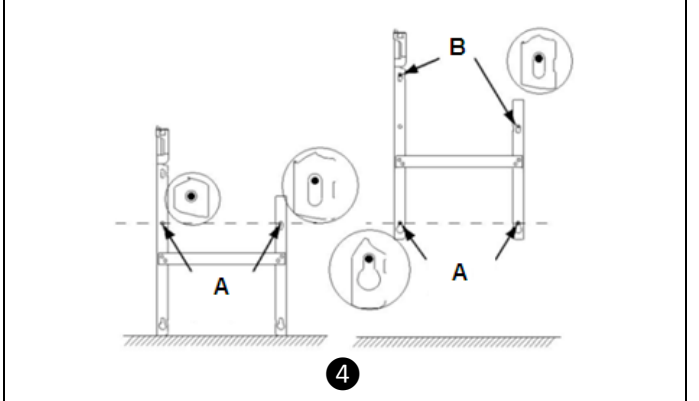
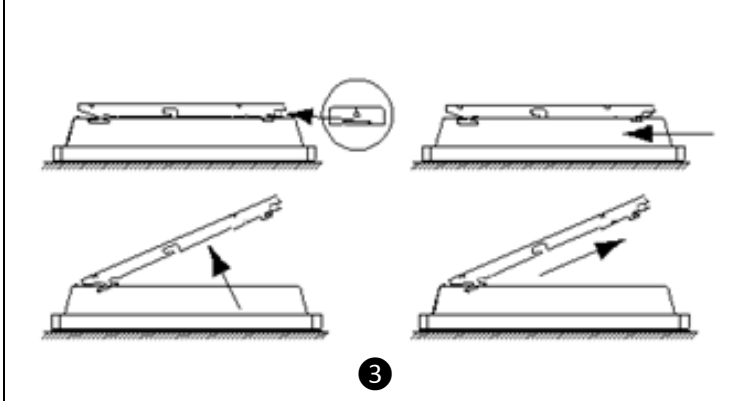
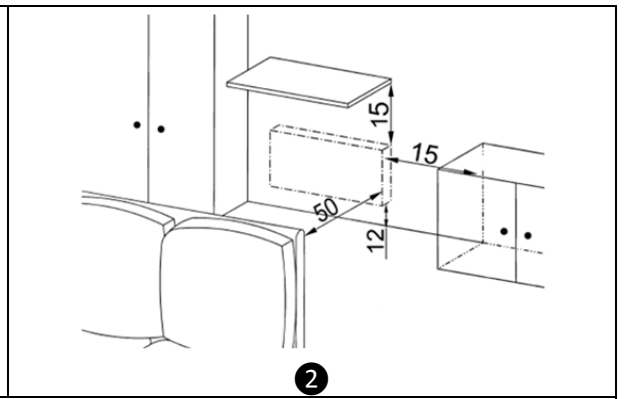
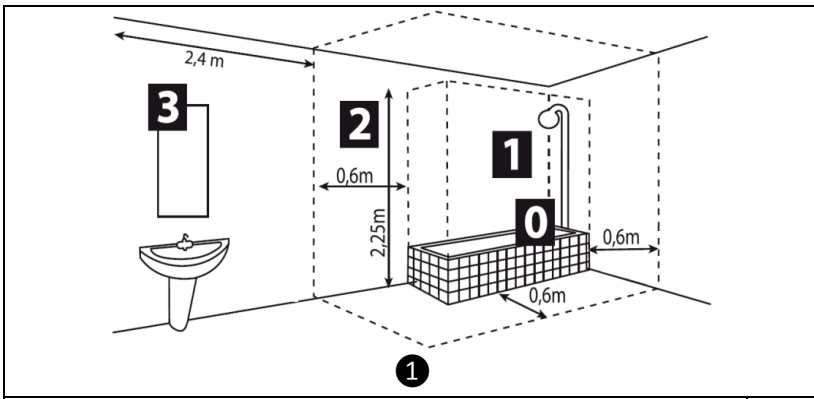
CMG-TLC

AUSTRALIA :

Atlantic Australasia Pty Ltd
4/13-25 Church Street
Hawthorn Victoria 3122 – Australia
Free call : 18 00 67 78 57
Phone : 03 98 52 95 99
Web : www.atlantics.com.au
Email : sales@atlantics.com.au

NEW ZEALAND :

Phone : 0800 422 000
Fax : 04 38 00 509
Web : www.atlantics.co.nz
Email : sales@atlantics.co.nz



The product you have just purchased has undergone numerous tests and inspections to guarantee the highest quality. We hope it will give you entire satisfaction.

INSTALLATION OF THE PANEL HEATER

Please read the instructions before starting to install the heater. Disconnect the power before carrying out any work on the heater. Keep these instructions even once you have installed your heater.

1. Where to install your heater?

- This equipment was designed to be installed in a residence. Please ask your distributor before using it for any other purpose.
- The panel heater should be installed according to normal trade practice and in compliance with legislation in the relevant country (the IEE Wiring Regulations).
- The Devices used in bathrooms must be installed so that switches and other control devices cannot be touched by a person in the bath or shower, except in the UK where IEE Regulations 701.512.2 and 701.512.3 apply. These allow the use of IP24 rated products and their integral controls in Zone 2 and outside zones.
- Comply with the minimum clearance distances for positioning of the panel heater. ②
- If your wall covering is laid on foam, a spacer the same thickness as the foam must be placed under the panel heater's support. This ensures there is free space behind the panel heater to make sure its control settings are not adversely affected.
- Do not use the heater in the immediate surroundings of a bath, a shower or a swimming pool.
- Do not install the panel heater:
 - In a draught likely to affect the control settings (under a fan, etc.).
 - Under a fixed mains power socket.
 - In volume 1 of bathrooms. ①



It is forbidden to install vertical product in horizontal position.
Always operate the heater in an upright position with the control panel at the top.

2. How to install the panel heater ?

2.1. Release the appliance's hook-on bracket ③

We recommend that you place the radiant panel flat, face down.

Have a straight head screwdriver to hand.

2.2. Fix the hook-on bracket to wall ④

Drilling points A

Drilling points B

Note: Approved for free standing on the feet and castor range (572000)

2.3. Connecting the panel heater

- The panel heater must be powered with 240V 50Hz
- The panel heater must be connected to the mains, either by a 2-wire cable (Brown = Phase, Blue = Neutral) or via a power socket.

In humid areas such as bathrooms and kitchens the power socket must be installed at least 25 cm above the floor.

- The installation must be equipped with an omnipole disconnection mechanism with a break contact distance of at least 3mm.

- The heater must be installed by a qualified electrician in accordance with the local regulations. If the heater wire is damaged, it must be replaced by a qualified person to avoid hazard.

2.4. Lock the appliance on the hook-on bracket ⑥

USING THE PANEL HEATER

1. Description of the control unit ⑦ & ⑧

① ⇨ Mode cursor. ② ⇨ Temperature adjustment control dial. V1 ⇨ Heating indicator light

2. Fixing the comfort temperature ☀

The comfort setting is the temperature that is preferred during times the rooms is occupied.

a) Slide the switch ① cursor to ☀ .

b) Adjust the control dial ② to the preferred position, the heating light V1 indicates if the temperature drops below the preferred setting.

c) Wait a few hours for the temperature to stabilize.

d) If the setting is satisfactory (if necessary use a thermometer to check), mark the position for future use.

e) If the setting is not satisfactory, adjust it and start again from point c.

3. Fixing the Eco temperature ECO

The Eco setting reduces the temperature setting by 3 to 4 degrees. The Eco setting can be used when the room is unoccupied for more than 2 hours.

a) Slide the switch ① to ECO.

b) Adjust the control dial ② to the preferred position, the heating light V1 indicates if the temperature drops below the ECO temperature set.

c) Wait a few hours until the temperature stabilizes.

4. Frost-Free mode ❄

This mode is used to keep the temperature at approximately 7°C in the room when you are absent from the house for a prolonged period (i.e. more than 24 hours). Set the ① switch on ❄ .

5. The heating indicator V1

This light comes on when the heating element is working. It may flash when the temperature has stabilized.

6. Stop heating

Move the cursor ① to ⏻ .

7. Locking the controls ③

It is possible to lock or limit use of the ② control dial and lock the ① switch to prevent unauthorized manipulation of the panel heater (children, etc.).

a) Unhook the panel heater from its wall mounting.

b) Remove the pins **P** on the back of the thermostat casing.

c) Select position **B** to lock the control dial or position **L** to limit the amount it can be turned. Position **M** blocks the switch for Electronic Model.

8. Using the On/Off Chronopass timer. Ref 602019

When using the programming mode (clock symbol) with the on/off Chronopass timer (interface + timer), the ECOsymbol on the timer refers to the off mode (no heating).

Important: If the timer (602019) is set to off, this function will override the slide switch 1 modes (eco, comfort & frost free) on the heater.

RECOMMENDATION FOR USE

- There is no point in setting maximum heating; the room temperature will not rise any quicker.
- When you air the room, stop the panel heater by putting the ❶ to switch to ⏻.
- If you leave the room for several hours slide the switch ❶ to ECO eco position.

Absence for:

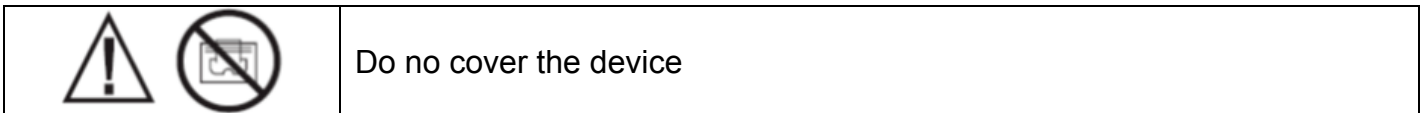
- Less than 2 hours, set the ❶ switch knob to moon ECO.
- 2 to 24 hours, either you can lower the control dial ❷ by two graduations, select eco mode ECO or switch to ⏻.
- If you have several units in a room, let them operate simultaneously. This will give you a more uniform temperature without increasing electricity consumption.

WARNINGS

Children must not lean on the appliance. Under certain circumstances, there is a risk that its surface may cause burns to the skin of young children. If there is any risk of this at all, install a protection grill. This device is not intended for use by persons (including children) with physical, sensory or mental disability, or by persons lacking experience or knowledge, unless they have received from a person in charge of their safety adequate supervision or preliminary instructions on how to use the device.

Care must be taken at all times to keep children from playing with the device.

Do not introduce objects or paper into the device.



Do not totally or partially block the grilles on the front or inside of the appliance, as this may cause overheating. If the supply cord is damaged, it must be replaced by a service agent or similarly qualified person in order to avoid a hazard (applies to all units). All work to the inside of the appliance must be carried out by a licensed electrician.

MAINTENANCE

To maintain performances of your unit, you should clean the upper and lower grilles of the unit about twice a year using a vacuum cleaner or a brush.

Have a professional check the inside of the unit every five years.

Dirt may collect on the grille of the unit if the atmosphere is polluted. This phenomenon is due to the poor quality of the ambient air. In this case, it is recommended to check that the room is well ventilated (ventilation, air inlet, etc.), and that the air is clean. The unit will not be replaced under the guarantee because of this type of dirt.

The unit casing should be cleaned with a damp cloth, never use abrasive products.

TROUBLE SHOOTING

If the unit does not heat:

Check that the timer is in COMFORT mode

Make sure that the installation circuit breakers are switched on, or that the load shedder (if you have one) has not switched off the unit power supply. Check the air temperature in the room.

The unit does not carry out programming orders:

Make sure that the timer is being correctly used (refer to its user's manual) or that the Chronopass is properly inserted in its housing and that it is operating normally and check battery life.

The unit is permanently heating:

Make sure that it is not in a draft and that the temperature setting has not been changed.

This unit with electronic control is equipped with a microprocessor that can be disturbed by some severe mains voltage disturbances (outside EC standards defining the disturbance protection level). If there are any problems (thermostat blocked, etc.) switch off the unit power supply (fuse, circuit breaker, etc.) for about 5 minutes to allow the unit to start again.

Have your energy distributor check your power supply if the phenomenon occurs frequently.

WARRANTY CONDITIONS: KEEP THIS DOCUMENT IN A SAFE PLACE

(This certificate should only be produced if you are making a complaint, attached with the invoice of the purchase)

- This guarantee is applicable for 7 years from the date of original purchase and upgradable by online registration. Conditions apply.
- Our goods come with guarantees that cannot be excluded under the Australia Consumer Law. You are entitled to a replacement or refund for a major failure and for compensation for any other reasonably foreseeable loss or damage. You are also entitled to have the goods repaired or replaced if the goods fail to be of acceptable quality and failure does not amount to a major failure.
- The benefits provided by this Warranty are in addition to all other rights and remedies in respect of the product which the consumer has under the competition and Consumer Act 2010.
- This guarantee excludes damage by neglect, shipping or accident and any damage due to incorrect installation, use or purposes other than those intended or failure to observe the instructions.

The replacement parts will be supplied free of charge however Atlantic does not accept responsibility for freight, labour charges or losses in transit.

- Atlantic Australasia Pty Ltd reserves the right to reject any warranty claims used in conditions other than domestic purpose or connected to non-approved power boards, extension leads, double adaptors and power boards. All products returned to retail stores for replacement must be pre-approved by Atlantic Australasia.

UNIT TYPE * :

SERIAL NUMBER * :

CUSTOMER'S NAME AND ADDRESS :

** This information is shown on the plate which can be seen on the left-side or behind the front grille of the unit.*

NEW ZEALAND - ATLANTIC AUSTRALASIA - Phone : 0800 422 000

- Fax : 04 38 00 509 - Web : www.atlantics.co.nz - Email : sales@atlantics.co.nz

AUSTRALIA - ATLANTIC AUSTRALASIA

4/13-25 Church Street

Hawthorn Victoria 3122 – Australia

Free call : 18 00 67 78 57

Phone : 03 98 52 95 99 - Fax : 03 98 52 98 44

Web : www.atlantics.com.au

Email : sales@atlantics.com.au

FOR WARRANTY EXTENSIONS, please register at :

Australia : www.atlantics.com.au

New Zealand : www.atlantics.co.nz

INSTALLER'S STAMP